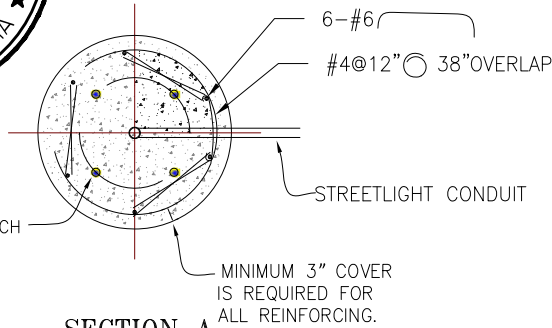
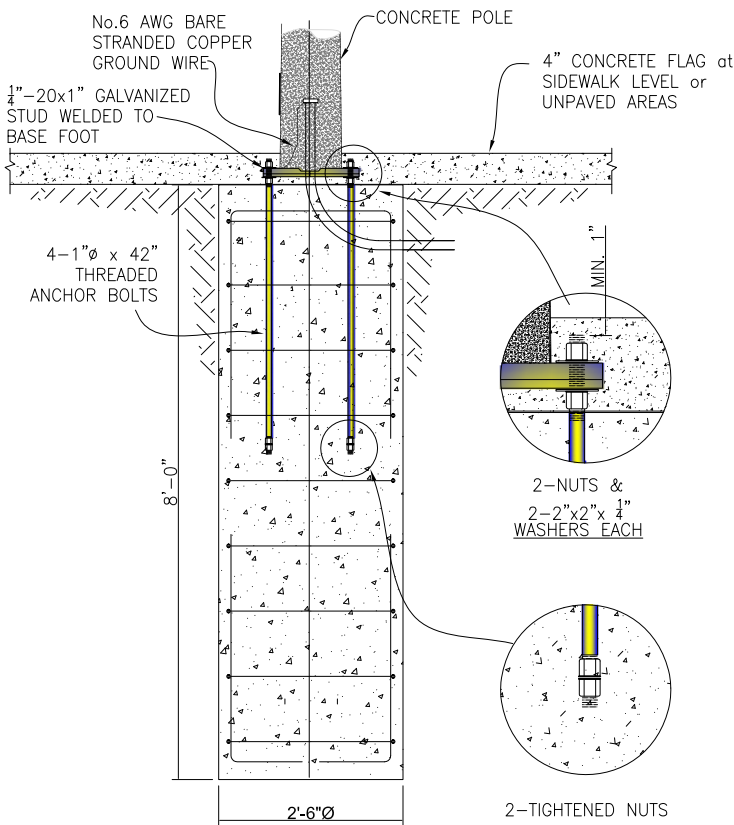




4-1"φ x 42" ANCHOR BOLTS with 2-NUTS & 2-2"x2"x 1/4" WASHERS EACH



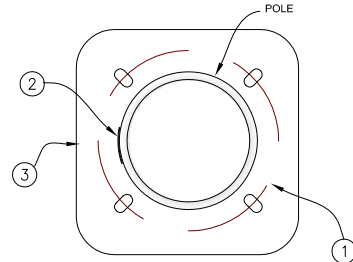
**SECTION A**  
Scale: \_\_\_ NTS



**SECTION DETAIL**  
Scale: \_\_\_\_\_NTS

**ANCHORAGE DETAIL NOTES:**

- ① 14" BOLT CIRCLE
- ② HANDHOLE (TYP)
- ③ 20" SQUARE BASE PLATE



**ANCHORAGE DETAIL**  
Scale: \_\_\_\_\_NTS

**NOTES:**

1. CONCRETE STRENGTH TO BE 4,000psi, CLASS 7 4000-1, 1.5 WITH 4-INCHES MAXIMUM SLUMP.
2. REINFORCING TO BE ASTM A615, GR. 60.
3. FOUNDATION SET TO CURE A MINIMUM OF 5-DAYS.
4. ALL MATERIALS and DIMENSION OF PIER FOOTING ARE DESCRIBED BY TECHNICAL MEMO FROM PUC/EMB-STR GROUP (AUGUST 2016).
5. IF ALL ANCHOR BOLTS ARE ALL-THREAD RODS, RODS AND NUTS SHALL BE HOT-DIP GALVANIZED.

Plot Time: Fri, 25 Sep 2020 - 7:26am Drawing Path: W:\BHP\11 SL Technical Engineering, Pole Asset Management and Mapping As-Built\11 SL Recommended Construction\PEENG-11 SL Standard Concrete Pole Foundation Installation Detail2.dwg, Login: rclavel



**City and County of San Francisco  
PUBLIC UTILITIES COMMISSION  
POWER ENTERPRISE  
UTILITY SERVICES / STREET LIGHTING**

| NO. | DATE      | DESCRIPTION                     | BY     | APR. |
|-----|-----------|---------------------------------|--------|------|
| 02  | 9/2/2020  | washer removed, Added Note-5... | RHuang |      |
| 01  | 8/31/2020 | Project Title Changed..         | RHuang |      |

TABLE OF REVISIONS  
CHECK WITH TRACING TO SEE IF YOU HAVE LATEST REVISION

|  |                     |                 |
|--|---------------------|-----------------|
| DATE: 9/22/2020                        | APPROVED: HDoan     | DATE: 8/31/2020 |
| RECOMMENDED By: EDille                 | MAINTENANCE SECTION | DATE:           |
| DATE: 4/2/2019                         | APPROVED: ALashanlo | DATE: 8/31/2020 |
| REVIEWED By: RHuang                    | ENGINEERING SECTION | DATE:           |
| DATE: 9/22/2020                        | APPROVED: RStephens | DATE:           |
| APPROVED: (EMB-Structural) Thomas Hull | SECTION MANAGER     | DATE: 9/24/2020 |

PROJECT TITLE:

**Streetlight Standard Concrete Pole  
Foundation Installation Detail2**

|                       |
|-----------------------|
| SPECIFICATION NO.     |
| DRAWING NO.<br>1 OF 1 |
| FILE NO.<br>PEENG-11  |
| REV. NO.              |

Measurement Units are English