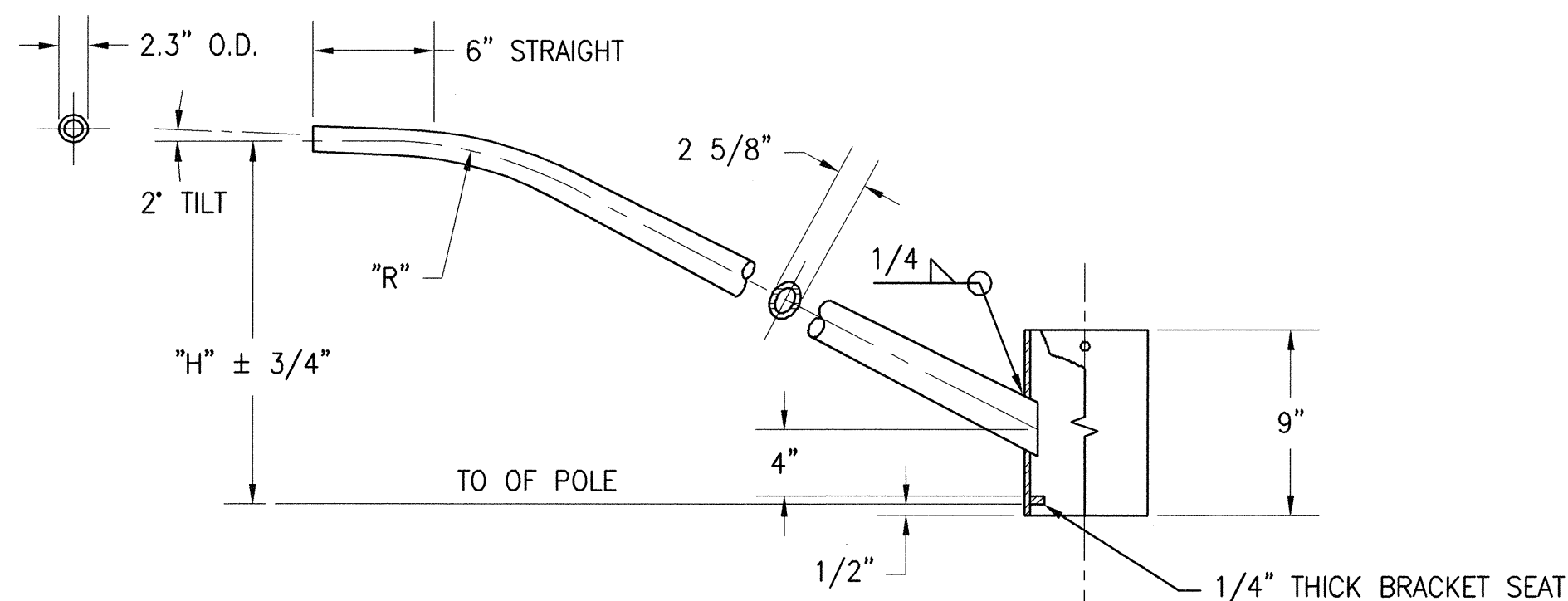
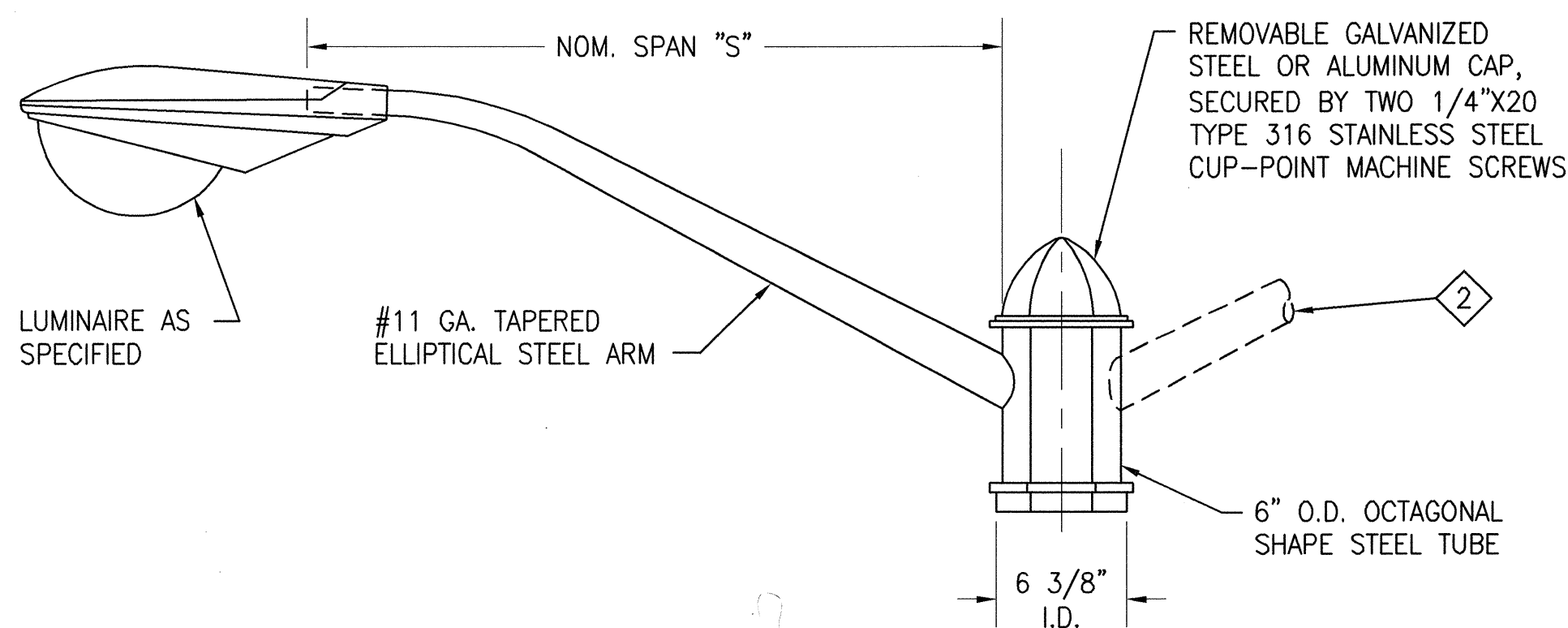


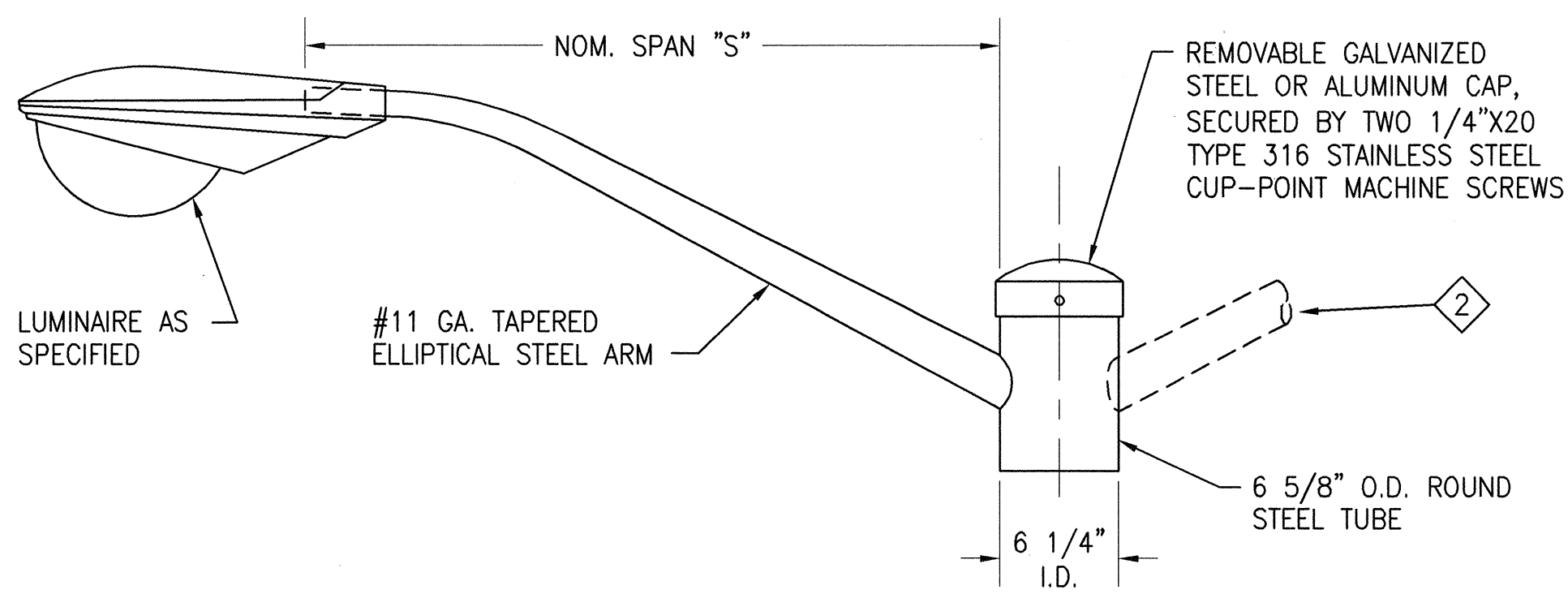
BRACKET DETAILS



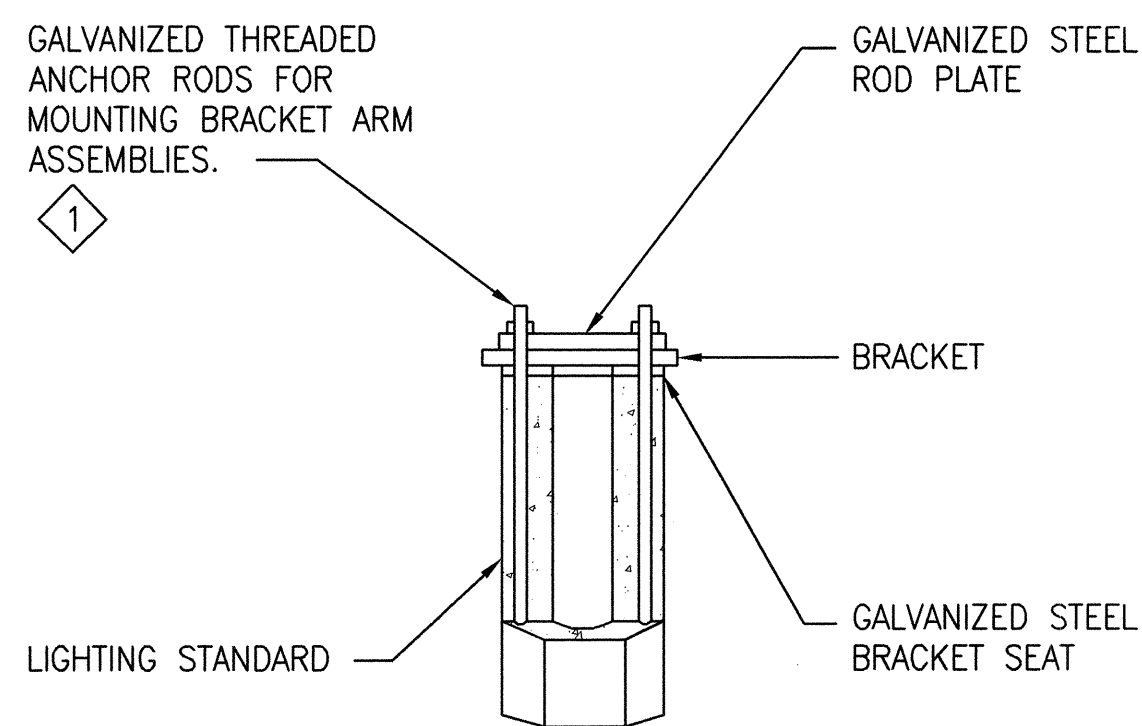
BRACKET DETAILS



BRACKET ELEVATION



BRACKET ELEVATION



TYPICAL DETAIL FOR MOUNTING BRACKET ASSEMBLY

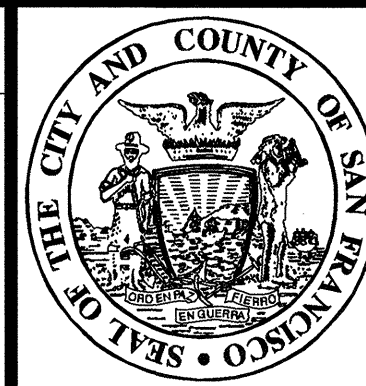
TYPE D				
SINGLE BRACKET	TWIN BRACKET (180° SPACING)	"S" NOM. SPAN	"R" BEND RADIUS	"H" BRACKET RISE
DE - 4	DDE - 4	4 FT.	2'-6"	17 3/4"
DE - 6	DDE - 6	6 FT.	2'-6"	29"
DE - 8	DDE - 8	8 FT.	5'-9"	29"

TYPE K				
SINGLE BRACKET	TWIN BRACKET (180° SPACING)	"S" NOM. SPAN	"R" BEND RADIUS	"H" BRACKET RISE
KE - 4	KKE - 4	4 FT.	2'-6"	28"
KE - 6	KKE - 6	6 FT.	2'-6"	28"
KE - 8	KKE - 8	8 FT.	5'-9"	28"

This Standard Plan was developed for use on public works projects in the City and County of San Francisco, and shall not be used without consulting a Registered Professional Engineer. The Department of Public Works reserves the right to make revisions to this Standard Plan at any time.

NO.	DATE	DESCRIPTION	BY	APP.
TABLE OF REVISIONS				
CHECK WITH TRACING TO SEE IF YOU HAVE LATEST REVISION				

REFERENCE INFORMATION & FILE NO. OF SURVEYS



BUREAU OF ENGINEERING
 DEPARTMENT OF PUBLIC WORKS
 CITY AND COUNTY OF SAN FRANCISCO

REVIEWED: BC	DATE: 01/2007	PLANS APPROVAL DATE: APRIL 30, 2007
DRAWN: RT	DATE: 01/2007	<i>Demetrius Sweth</i> 4/27/07 SECTION MANAGER
CHECKED: TA	DATE: 01/2007	<i>Milo</i> 4/30/07 DEPUTY BUREAU MANAGER
		<i>Jan Chua</i> BUREAU MANAGER

STANDARD PLAN	OLD FILE NO.
ELECTRICAL	A-33,705
TYPE D AND TYPE K BRACKET ARM ASSEMBLIES	FILE NO.
	87,209
	REV. NO.

Drawing Path: V:\096661 Standard Plans & Specs Update\2-Plans\FINAL\VELEV-09.dwg, Login: caranias
 Plot Time: Fri, 27 Apr 2007 - 5:42pm
 Model Units: Feet
 Dimension Scale: 40
 V:\096661 Standard Plans & Specs Update\2-Plans\FINAL\ELE\disciplinr-ele.dwg